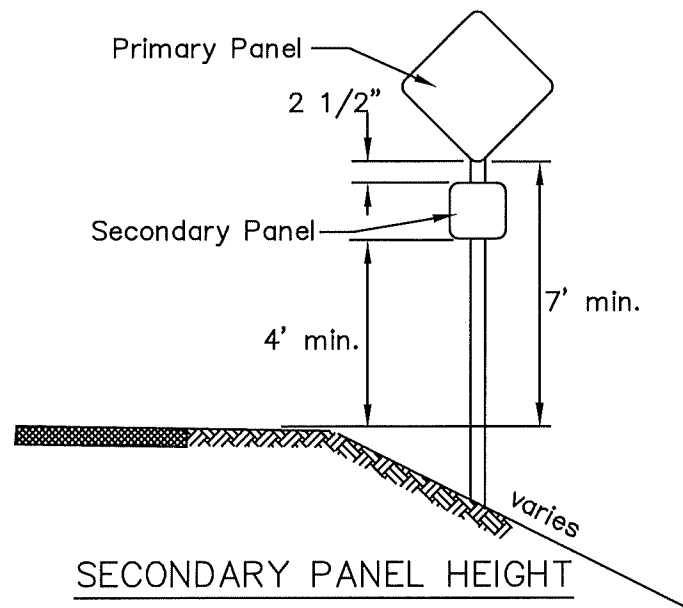
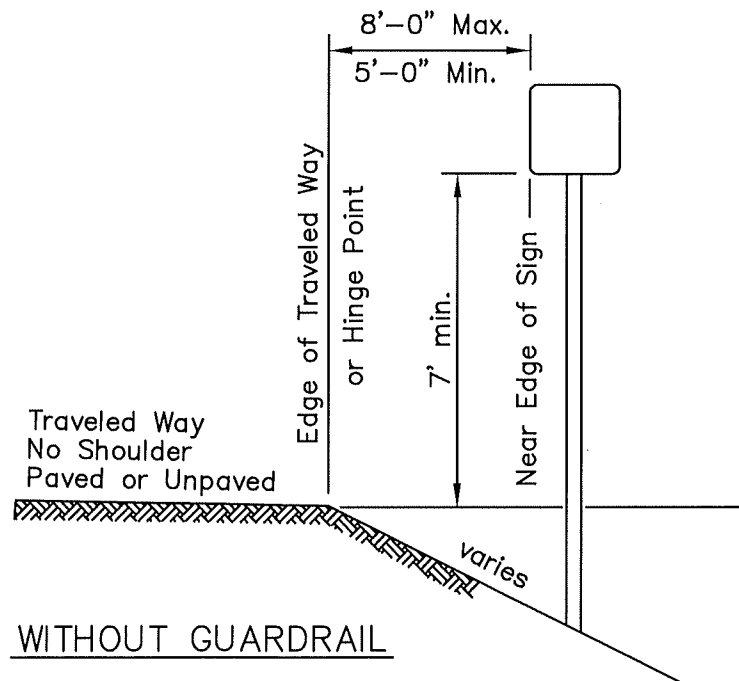
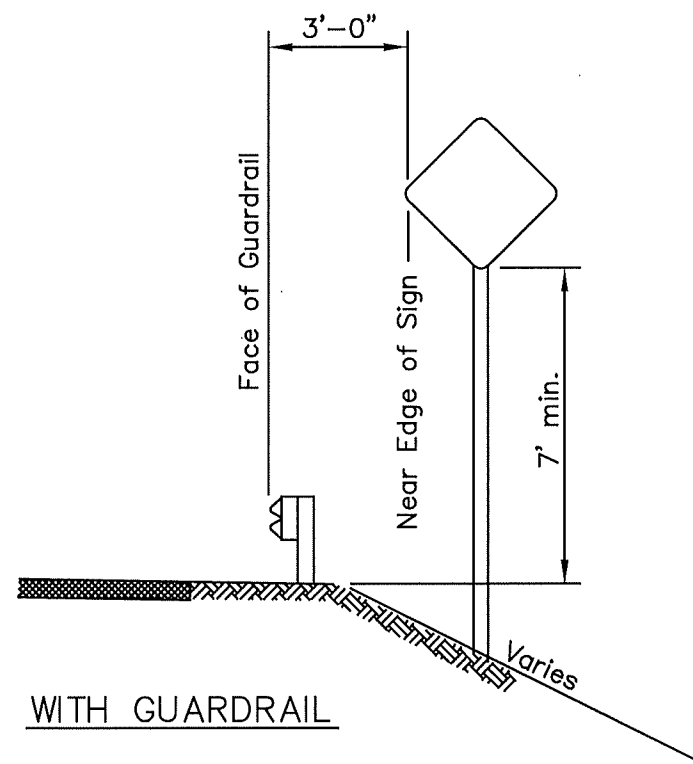
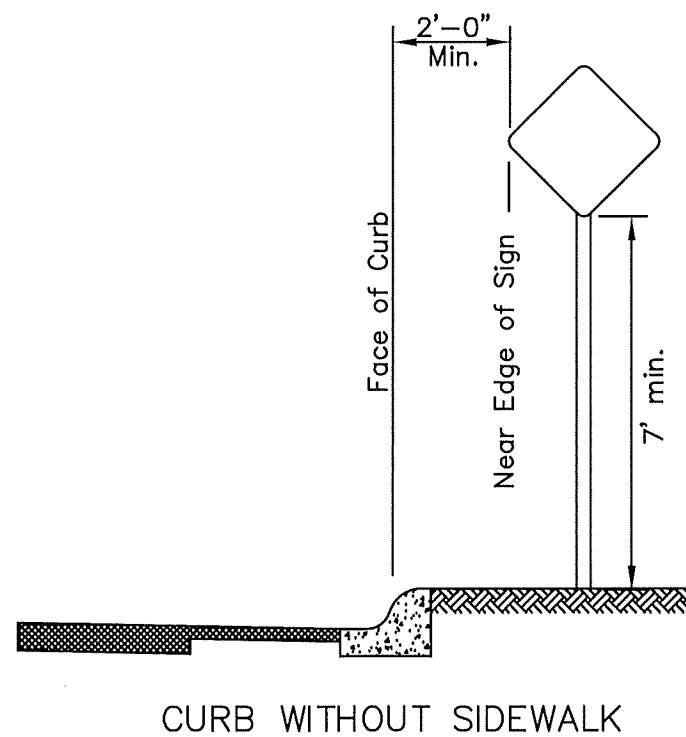


FILE: W:\RURAL_SERVICES\SIGNS\50 - DRAWINGS\SIGN MAINTENANCE DETAILS 3--29--18.DWG PLOTTED: Sep 6, 2019 - 9:18:41 AM (Floyd Sheesley)



GENERAL NOTES:

1. The contractor is responsible for locating underground utilities prior to post installation.
2. Installation locations, offsets and burial depths cannot be modified by the contractor without a written proposal. No work may proceed without an approval by the Engineer.
3. The contractor shall be provided with offset dimensions and sign size for new sign installations, or when changes to the existing sign is necessary.



Fairbanks North Star Borough

907 Terminal St • PO Box 71267 • Fairbanks, Alaska 99707
Phone: 907-459-1223 Fax: 907-459-1499

**STANDARD
SIGN
INSTALLATION
AND OFFSETS**

FNSB - RURAL
SERVICES

**ROAD SERVICE AREA SIGN MAINTENANCE
DETAILS**

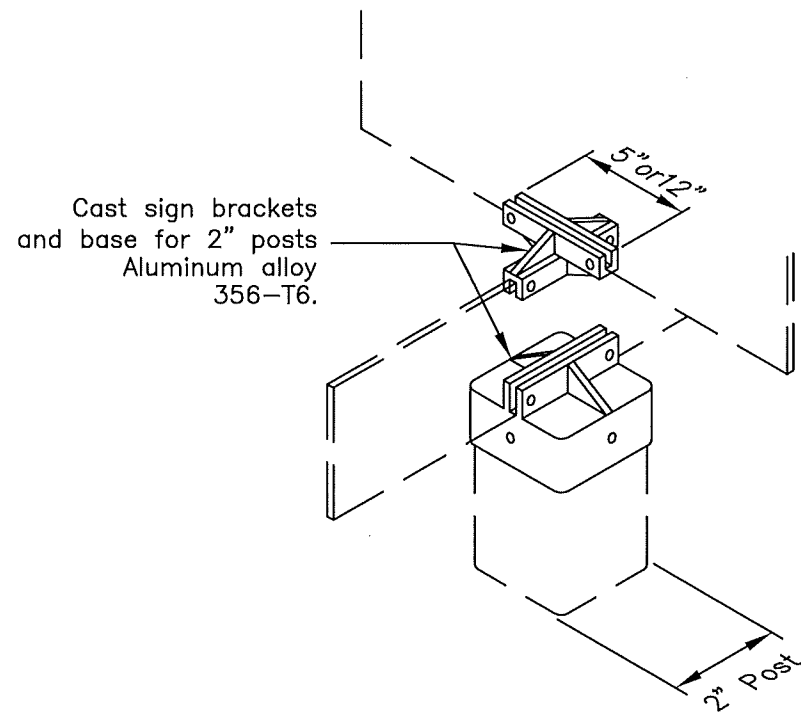
SHEET NO.

1

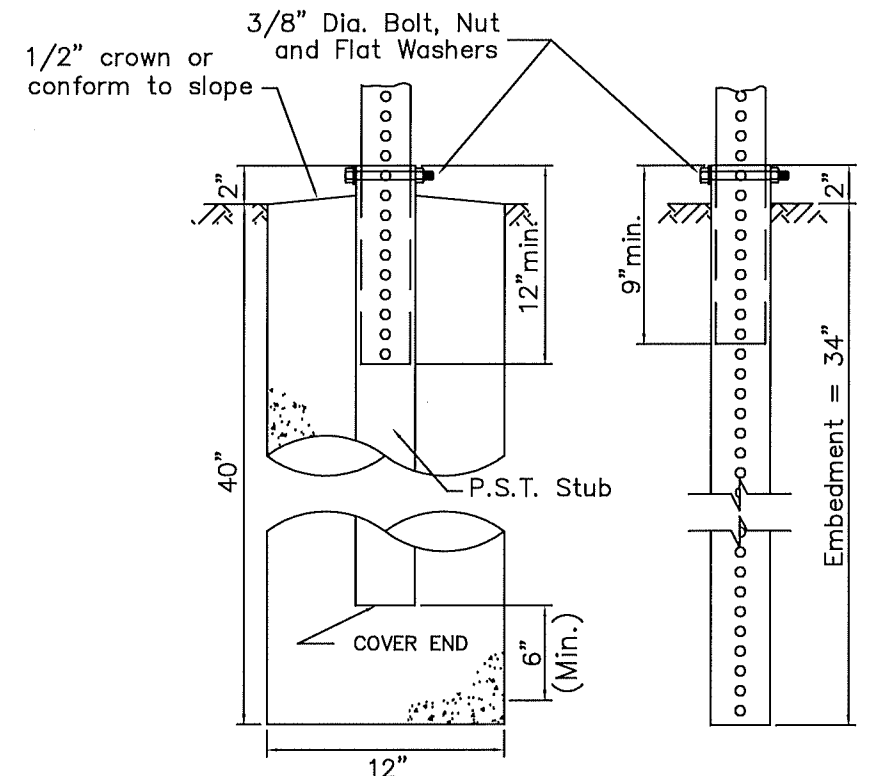
OF

USER:

FILE: W:\RURAL SERVICES\SIGNS\SD - DRAWINGS\SIGN MAINTENANCE DETAILS 3-29-18.DWG PLOTTED: Sep 5, 2019 - 9:18:57 AM (Floyd Sheesley)

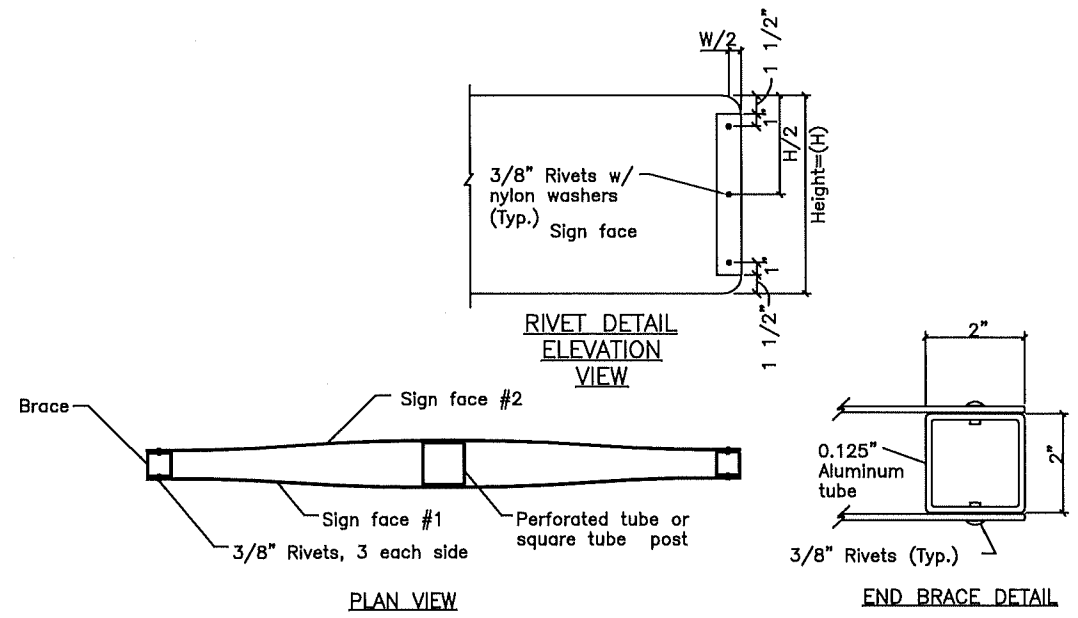


SINGLE PANEL SIGN POST CAP & BRACKETS

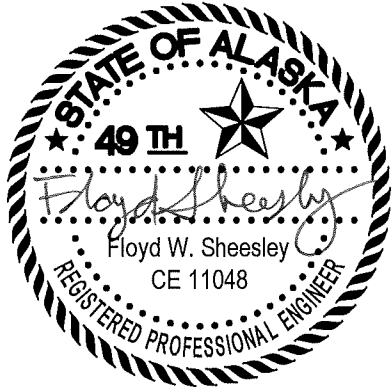


SLEEVE TYPE - CONCRETE FOUNDATION - SLEEVE TYPE - SOIL EMBEDMENT -

PERFORATED STEEL TUBE (PST) POSTS



DOUBLE PANEL STREET NAME SIGN (D3-1) DETAILS



Fairbanks North Star Borough
 907 Terminal St • PO Box 71267 • Fairbanks, Alaska 99707
 Phone: 907-459-1223 Fax: 907-459-1499

POST AND BRACKET DETAILS

FNSB - RURAL SERVICES

ROAD SERVICE AREA SIGN MAINTENANCE DETAILS

SHEET NO.
 2
 OF