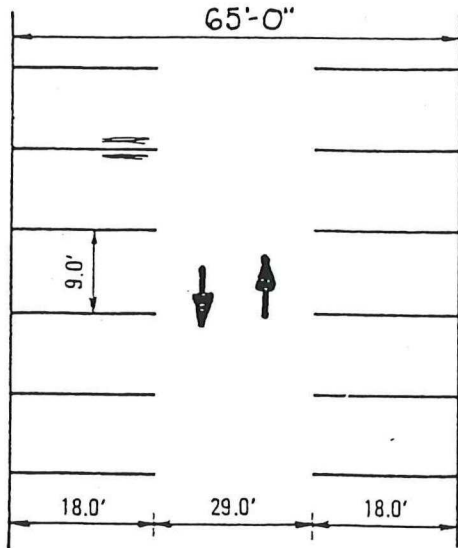
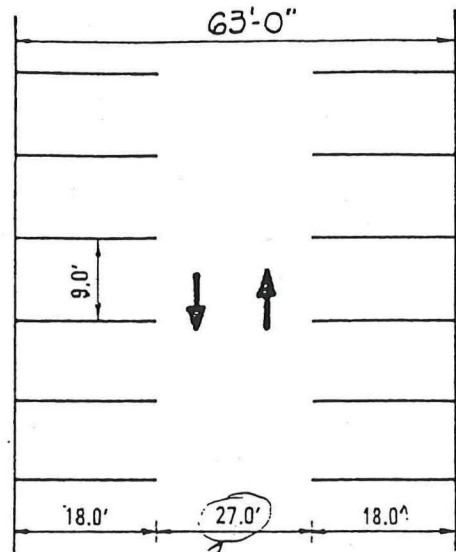


90° PARKING DIMENSIONS

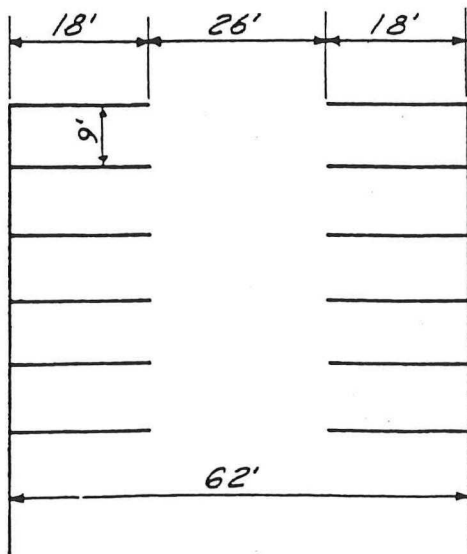


DESIRABLE DIMENSIONS
WITH 9.0' STALL WIDTH

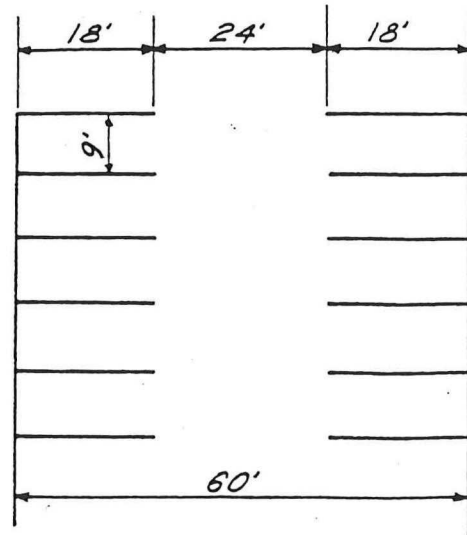


MINIMUM DIMENSIONS
WITH 9.0' STALL WIDTH

24' min
is allowable

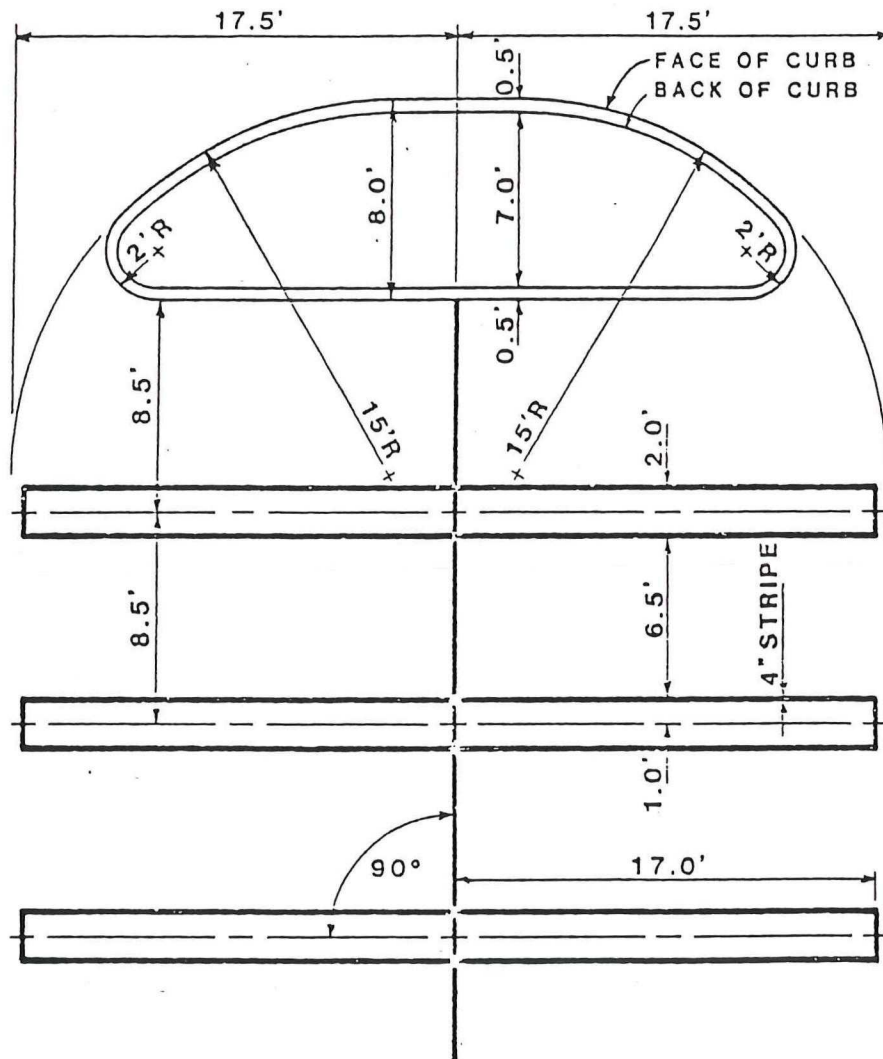


90 DEGREE
DESIRABLE



90 DEGREE
MINIMUM

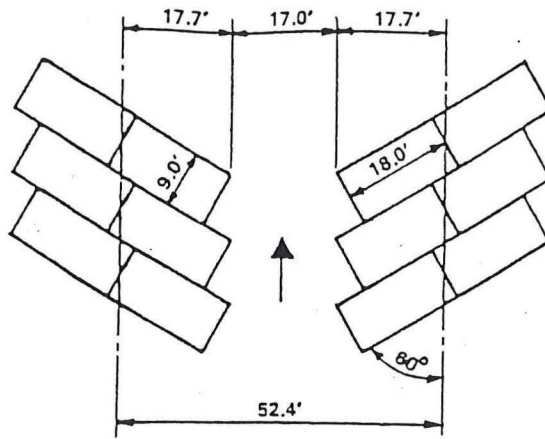
EMPLOYEE PARKING DIMENSIONS



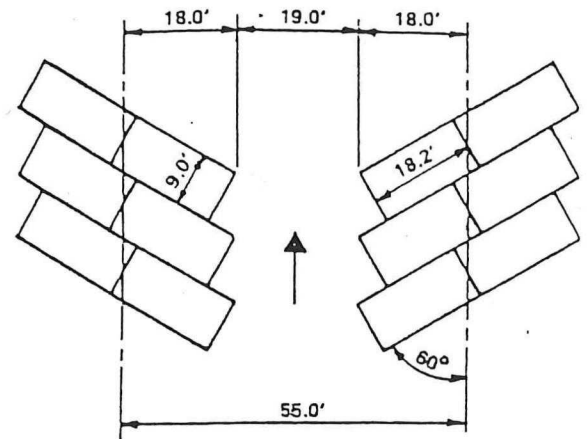
NOTE: ALL PAINT STRIPE DIMENSIONS
ARE CENTER TO CENTER OF STRIPES

TYPICAL 90° CURB AND LANE
ALL DIMENSIONS SHALL BE AT LEAST

OVERLAPPED

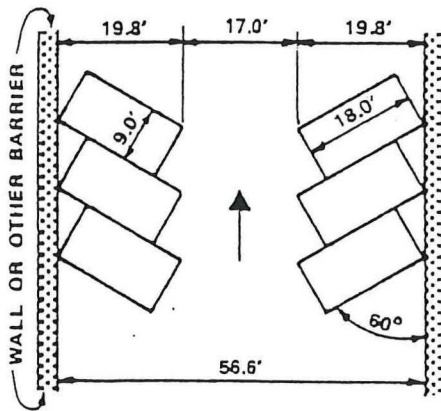


MINIMUM DIMENSIONS

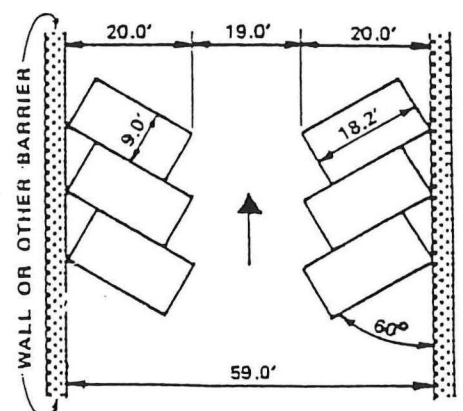


DESIRABLE DIMENSIONS

BARRIER

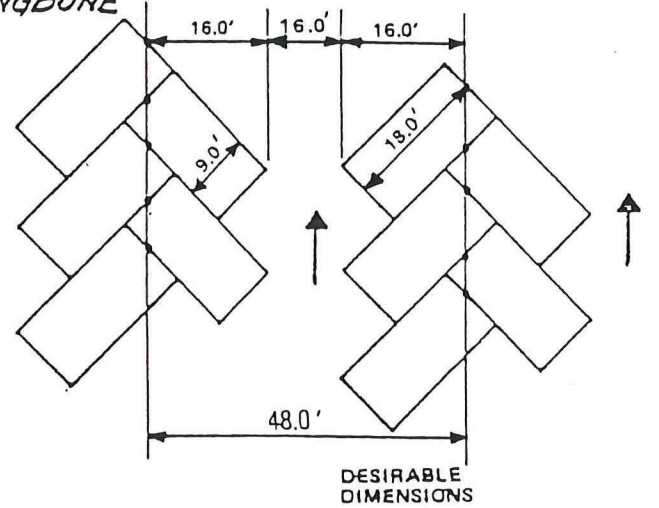
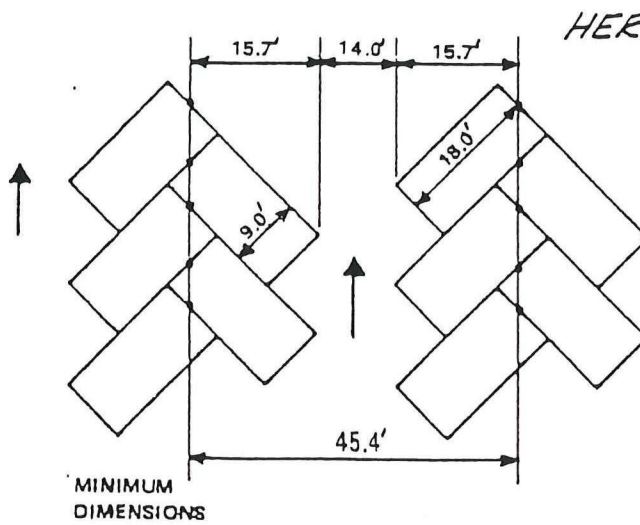
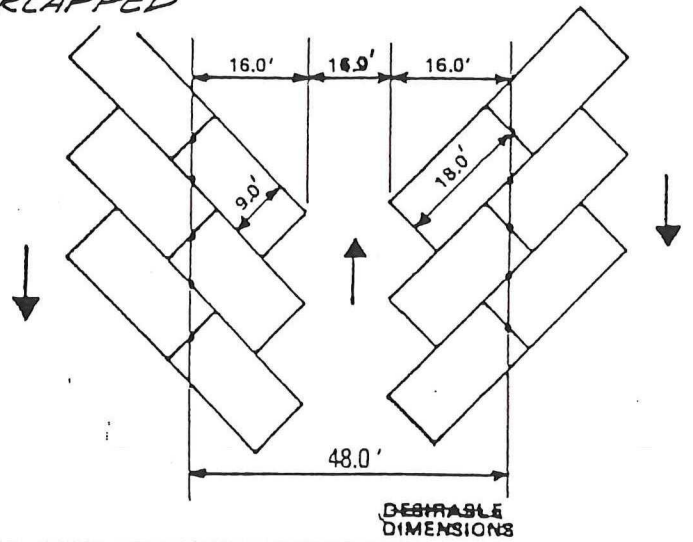
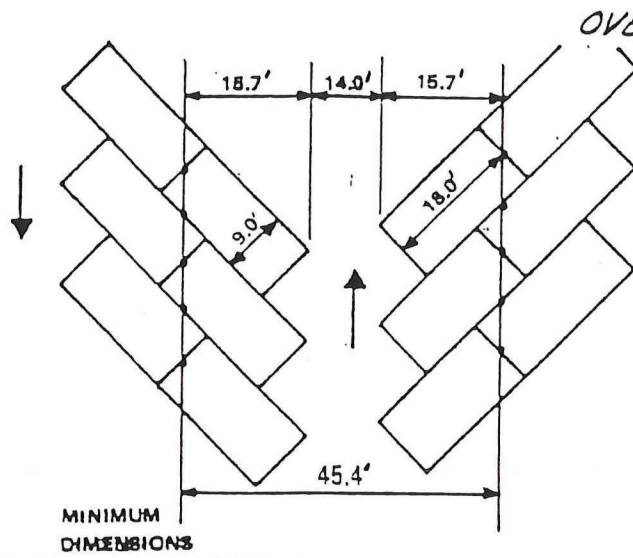
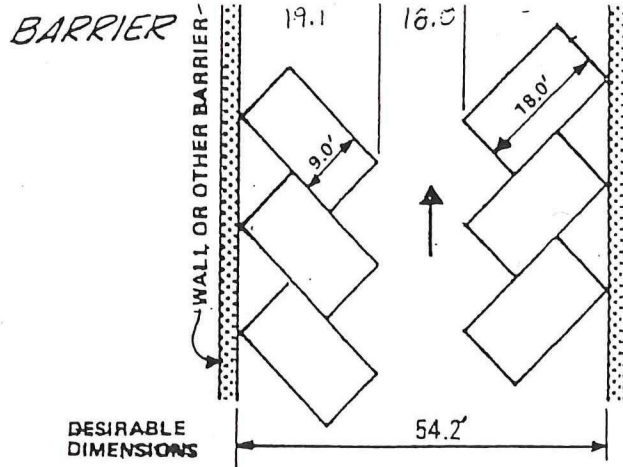
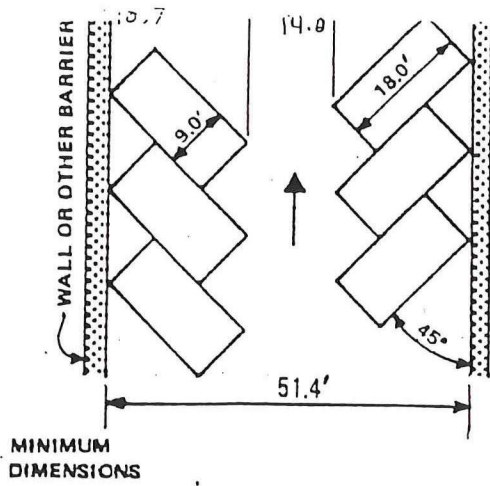


MINIMUM DIMENSIONS



DESIRABLE DIMENSIONS

60° PARKING DIMENSIONS



45° PARKING DIMENSIONS